



REPLY TO
ATTENTION OF

DEPARTMENT OF THE ARMY
THE INSTITUTE OF HERALDRY
9325 GUNSTON ROAD, ROOM 8112
FORT BELVOIR, VIRGINIA 22060-5579

AAHS-IHS (840-10a)

MAR 14 2014

MEMORANDUM FOR Commander, Delta Company, 3d Military Information Support Battalion (A), ATTN: 2LT Terri Craig, Building H3849, Gruber Road, Fort Bragg, NC 28310

SUBJECT: Beret Flash and Background Trimming for the 3d Psychological Operations Battalion

1. In accordance with the provisions of AR-670-1, a beret flash and background trimming are authorized for wear by members of the 3d Psychological Operations Battalion.
2. The descriptions of the designs are as follows:

BERET FLASH

A shield-shaped embroidered item with a semi-circular base 2 1/4 inches (5.72 cm) in height and 1 7/8 inches (4.76 cm) in width overall, divided diagonally from upper right to lower left bottle green over silver gray by three lines 1/8 inch (.32 cm) in width, scarlet, teal blue and orange; all within a 1/8 inch (.32 cm) black border.

BACKGROUND TRIMMING

An oval-shaped embroidered item 1 3/8 inches (3.49 cm) in height and 2 1/4 inches (5.72 cm) in width overall, divided diagonally from upper right to lower left, bottle green over silver gray by three lines 1/8 inch (.32 cm) in width, scarlet, teal blue and orange; all within a 1/8 inch (.32 cm) black border.


CABLE NUMBERS OF COLORS

Bottle Green	#67191
Silver Gray	#67137
Teal Blue	#67121
Scarlet	#67111
Black	#67138
Orange	#67110

AAHS-IHS (840-10a)

SUBJECT: Beret Flash and Background Trimming for the 3d Psychological Operations Battalion

3. This authorization does not grant exclusive use of the above colors and pattern design for the 3d Psychological Operations Battalion.



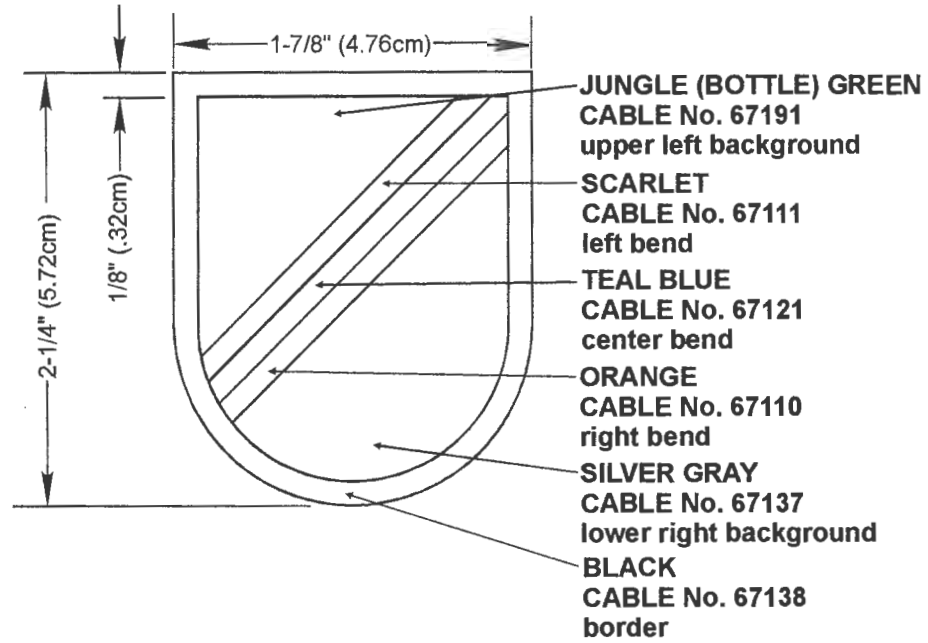
CHARLES V. MUGNO
Director

CF: CMH

Final

REVISIONS

LTR	DESCRIPTION	DATE	APPROVED
-----	-------------	------	----------



DESIGNED FOR OVEREDGE STITCHING

UNLESS OTHERWISE SPECIFIED DIMENSIONS ARE IN INCHES
TOLERANCES ON FRACTIONS DECIMALS ANGLES

MATERIALS:
TO BE MANUFACTURED IN ACCORDANCE WITH MIL-DTL-14652

EXAMINED	<i>TC</i>	
CHECKED	<i>pm</i>	<i>SOE</i>
PREPARED	CLH	
APPROVED	<i>Charles V. Mugno</i>	
	CHARLES V. MUGNO DIRECTOR	

THE INSTITUTE OF HERALDRY, DEPARTMENT OF THE ARMY
9325 GUNSTON RD, RM S-113 FORT BELVOIR, VA 22060-5579

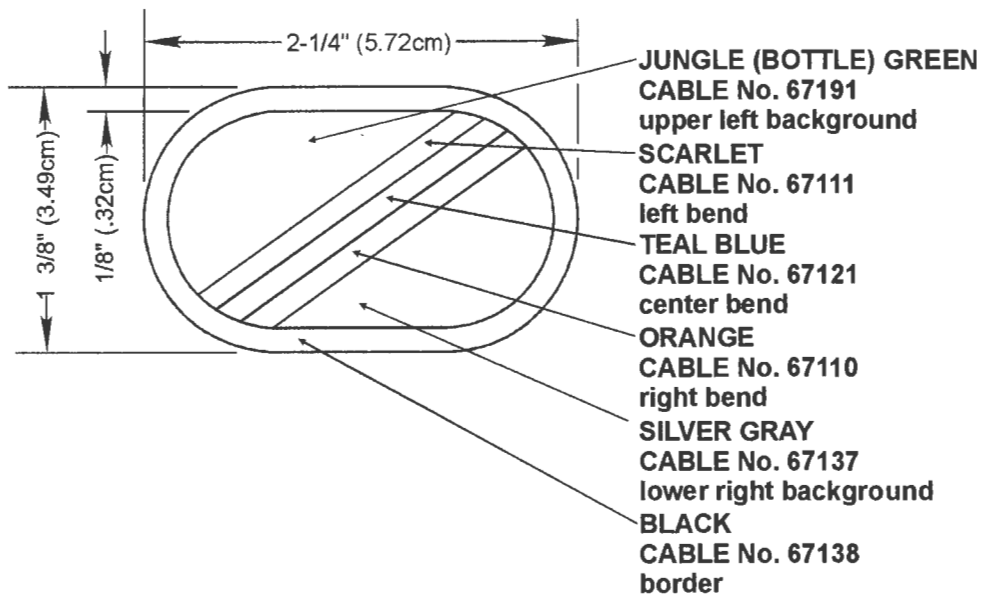
BERET FLASH FOR
3D PSYCHOLOGICAL OPERATIONS
BATTALION

SIZE	CONTROL IDENT. NO	
A	22571	A-4-291

SCALE FULL DATE **6 MARCH 2014**

REVISIONS

LTR	DESCRIPTION	DATE	APPROVED
-----	-------------	------	----------



DESIGNED FOR OVEREDGE STITCHING

UNLESS OTHERWISE SPECIFIED DIMENSIONS ARE IN INCHES TOLERANCES ON FRACTIONS DECIMALS ANGLES

EXAMINED	<i>TC</i>	
CHECKED	<i>pm</i>	<i>SAD</i>
PREPARED	CLH	
APPROVED	<i>Charles V. Mugno</i>	
	CHARLES V. MUGNO DIRECTOR	

THE INSTITUTE OF HERALDRY, DEPARTMENT OF THE ARMY
9325 GUNSTON RD, RM S-113 FORT BELVOIR, VA 22060-5579

BACKGROUND TRIMMING FOR
3D PSYCHOLOGICAL OPERATIONS
BATTALION

SIZE CONTROL IDENT. NO
A 22571 A-6-317

SCALE FULL DATE **6 MARCH 2014**

MATERIALS:
TO BE MANUFACTURED IN ACCORDANCE WITH MIL-DTL-14652

